

# NIGHTHAWK® Nighthawk® AC1900 Smart WiFi Router—Dual Band Gigabit



## Leading the New Era of WiFi

Nighthawk® AC1900 Smart WiFi Router is powered by high-power amplifiers and antennas to extend your WiFi coverage. Blazing-fast combined WiFi speeds up to 600+1300Mbps† and 1GHz Dual

Core Processor for extended range. Smart Connect intelligently selects the fastest 2.4 or 5GHz WiFi band for each device in your home for optimal speeds. Stop buffering and start enjoying ultra-smooth

streaming, online gaming, and more. With NETGEAR Armor™, you get the best-in-class cybersecurity to protect your family from malware, stolen passwords, identity theft, and hacker attacks.

# NIGHTHAWK® Nighthawk® AC1900 Smart WiFi Router—Dual Band Gigabit

## GAMING | FOR THE WIN

Avoid character freezing & enjoy lag-free gaming with extreme 11AC speed & performance. Nighthawk delivers AC1900 WiFi, a powerful dual core 1GHz processor, & MU-MIMO for simultaneous streaming with multiple devices. When microseconds count, let Nighthawk accelerate your game. For the win.



## STREAMING | ULTIMATE HD

Stop buffering and start enjoying uninterrupted streaming media. With features like Dynamic QoS and Beamforming+ server you'll begin to stream like you mean it. Access your stored media quickly with USB 3.0.



## MOBILE | FASTER & FARTHER

Improve your mobile WiFi speeds by up to 100% with Nighthawk! Easily set up your router and get the most out of your WiFi with the Nighthawk App. High-power amplifiers & antennas help extend WiFi coverage throughout large homes & even backyards. For the first time Beamforming+ focuses WiFi signals to both 2.4 & 5GHz devices. With signals locked onto your device, experience what it really means to be mobile!



# NIGHTHAWK® Nighthawk® AC1900 Smart WiFi Router—Dual Band Gigabit

## Speed

Get super fast WiFi & enjoy a blazing-fast, lag-free WiFi experience for gaming, video streaming or surfing.



EXTREMELY FAST WIFI—Up to 600+1300Mbps†



SMART CONNECT—Automatically selects the best dual band WiFi connection for optimal wireless speed



GIGABIT WIFI—Next-generation WiFi now at Gigabit speeds



MU-MIMO—Go faster by simultaneously streaming to multiple devices



GIGABIT WIRED—Ideal for HD gaming & video



DUAL-CORE PROCESSOR—Dual-core 1GHz processor boosts wireless, wired & WAN-to-LAN performance

## WiFi Range

Faster and expanded coverage throughout your home and for all your devices.



ULTIMATE RANGE—WiFi coverage throughout very large homes



HIGH-POWER ANTENNAS—High-power amplifiers with 3 external antennas

## Sharing

With NETGEAR, sharing across your network is fun and easy, such as accessing stored photos & music.



DLNA®—Find & play your media on DLNA TVs & game consoles



READYSHARE® USB ACCESS—Wirelessly access & share USB hard drive via two (2) USB ports



ONE SUPERSPEED USB 3.0 PORT—Up to 10x faster than USB 2.0

# NIGHTHAWK® Nighthawk® AC1900 Smart WiFi Router—Dual Band Gigabit

## Reliable Connections

There's nothing more frustrating than lost connections! With NETGEAR's advanced features & best-in-class technology, you'll reduce interference & enjoy more reliable WiFi connectivity.



**BEAMFORMING+**—Boosts speed, reliability, & range of WiFi connections for 2.4 & 5GHz bands



**SIMULTANEOUS DUAL BAND WIFI**—Reduces interference for better connections to more WiFi devices



**DYNAMIC QoS**—Dynamic QoS automatically recognizes & prioritizes streaming & gaming applications

## Ease Of Use

Start enjoying your new device faster than ever. NETGEAR wants to make sure installation and management is simple & easy, so you can connect quickly & make sure you stay that way!



**SMART CONNECT**—Intelligently selects the fastest WiFi band for every device connection. One WiFi name for the entire home



**NIGHTHAWK APP**—Easily set up your router and get more out of your WiFi. Includes access from anywhere to manage your network away from home



**VOICE CONTROLLED BY AMAZON ALEXA**—Control your NETGEAR WiFi network with simple voice commands

## Security

Maintain high security across your network to ensure your privacy & family is safe while online. Whether it's preventing phishing & spyware or just limiting access for kids & guests, NETGEAR has you covered.



**NETGEAR ARMOR™**—Cybersecurity for your home<sup>††</sup>. Advanced cyber threat protection for your home network and your connected devices



**VPN SUPPORT**—OpenVPN Connect app on iOS and Android® allows remote secure access to the home network



**SECURE WIFI CONNECTIONS**—Standards-based WiFi Security (802.11i, 128-bit AES encryption with PSK)



**PARENTAL CONTROLS**—Circle™ - the smart way for families to manage content and time online, on any device



**GUEST NETWORK**—Separate and secure network for your guests



**AUTOMATIC FIRMWARE UPDATE**—Delivers latest security patches to the router

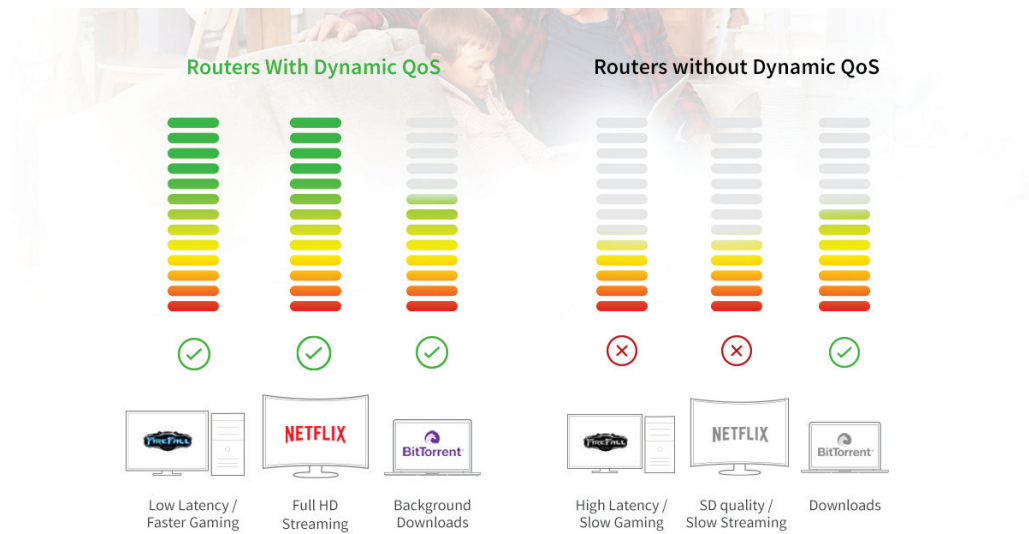


**PERSONAL FTP SERVER**—Customized free URL to create FTP server

# NIGHTHAWK® Nighthawk® AC1900 Smart WiFi Router—Dual Band Gigabit

## Dynamic Quality of Service

If you like gaming and streaming videos, then you'll benefit from Dynamic Quality of Service (QoS). Dynamic QoS resolves Internet traffic congestion when you have competing Internet demands at home. Dynamic QoS identifies your online activities by application and device, and then utilizes bandwidth allocation, and traffic prioritization techniques, to automatically allocate more bandwidth to latency sensitive applications like online gaming and video streaming, while ensuring that lower priority applications continue to work.



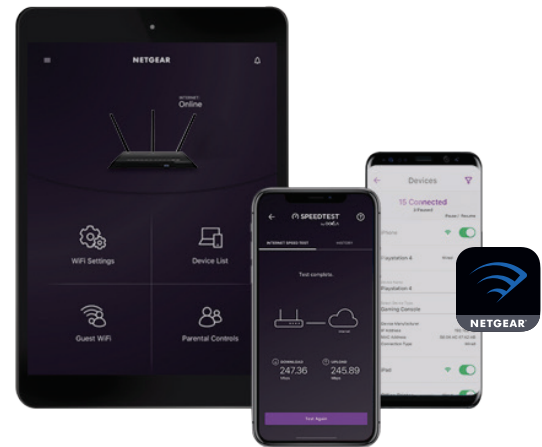


# NIGHTHAWK® Nighthawk® AC1900 Smart WiFi Router–Dual Band Gigabit

## Nighthawk® App

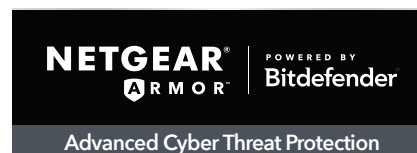
The NETGEAR Nighthawk® App makes it easy to set up your router and get more out of your WiFi. With the app, you can install your router in a few steps—just connect your mobile device to the router network and the app will walk you through the rest. Once set up, you can use the intuitive dashboard to pause the Internet on your connected devices, run a quick Internet speed test, and much more!

- Anywhere Access—Easily monitor your home network anytime, anywhere
- Internet Speed Test—Check the broadband speeds from your service provider
- Pause Internet—Pause the Internet to any device
- Traffic Meter—Track Internet data usage
- Guest Networks—Set up separate WiFi access for guests
- Quick Setup—Get connected in just minutes
- Get it at [nighthawk-app.com](http://nighthawk-app.com)



## NETGEAR Armor™

NETGEAR Armor empowers you to eliminate vulnerabilities or simply know the status of your home network and devices, anytime, anywhere. Get instant notifications when malicious threats are detected, block unknown devices from joining your home network or take action on vulnerabilities as they are discovered easily through the Nighthawk App.



## Powerful Security on Your NETGEAR Router



**ANTIVIRUS & RANSOMWARE PROTECTION**—Keeps you safe from phishing and online fraud



**VULNERABILITY ASSESSMENT**—Scans and identifies network security flaws



**BITDEFENDER TOTAL SECURITY 2020**—Protects all connected devices at home and on-the-go



**BITDEFENDER VPN**—Encrypts your internet connection to keep your online activity private even while you're on unsecured public networks



**STAY SAFE EVEN WHEN AWAY FROM HOME WIFI**—Stay in the know with Nighthawk App. Anywhere, anytime

# NIGHTHAWK® Nighthawk® AC1900 Smart WiFi Router–Dual Band Gigabit

**circle®** Circle is the smart way for families to manage content and time online, on any connected device. With the Circle app, you can easily:

- Limit daily Internet time for websites, apps, and more
- Set a BedTime for your family's devices
- Set individual filter for each family member that matches their age and interests
- Pause Internet by device or by user with a press of a button
- Schedule specific `no internet` times with OffTime
- Check out where your family spends time online
- Reward kids with extended Time Limits, no OffTime, and a late BedTime for the day
- Use voice commands to ask Alexa™ about Time Limits and Usage

Learn more [netgear.com/circle](http://netgear.com/circle)

## Key Features:



FILTERS



TIME LIMITS



BEDTIME



USAGE



PAUSE



OFF TIME



REWARDS



HISTORY



CONNECTIONS

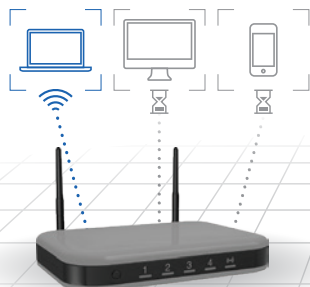
# NIGHTHAWK® Nighthawk® AC1900 Smart WiFi Router—Dual Band Gigabit

## Multi-user MIMO (MU-MIMO)

Traditional WiFi routers can stream data to only one device in the home at a time. When multiple devices are connected to the router, each device needs to take its turn, and then wait before receiving more data. This can lead to slower network and Internet speeds. Using Multi-user MIMO technology, NETGEAR routers can stream data to multiple devices simultaneously. With MU-MIMO, your WiFi network can deliver faster throughput to every MU-MIMO connected device. That means faster downloads and smoother streaming for your devices.

## Enjoy simultaneous streaming with MU-MIMO

Data sent to one device at a time



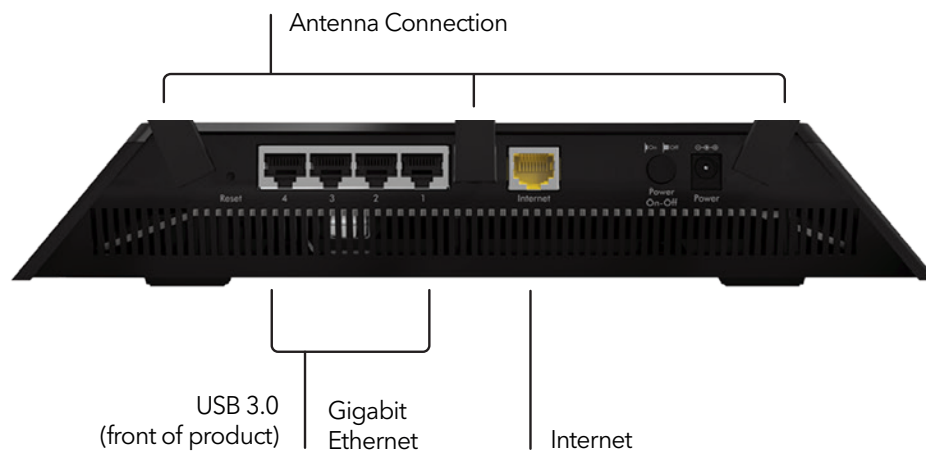
Traditional WiFi

Data sent to multiple devices simultaneously



MU-MIMO WiFi

## Connection Diagram





# NIGHTHAWK® Nighthawk® AC1900 Smart WiFi Router—Dual Band Gigabit

## Package Contents

- Nighthawk® AC1900 Smart WiFi Router (R6900P)
- Three (3) detachable antennas
- Ethernet cable
- Quick start guide
- Power adapter, localized to country of sale

## Physical Specifications

- Dimensions: 11.22 x 7.26 x 1.97 in (285 x 184.5 x 50 mm)
- Weight: 1.65lb (750g)

## Technical Specifications

- AC1900 WiFi†
  - Band 1: 600Mbps @2.4GHz
  - Band 2: 1300Mbps @5GHz
- Simultaneous dual band WiFi
  - Tx/Rx 3x3 (2.4GHz) + 3x3 (5GHz)
  - IEEE® 802.11 b/g/n 2.4 GHz
  - IEEE® 802.11 a/n/ac 5.0 GHz - 256-QAM support
- Powerful dual-core 1GHz processor
- Memory: 128MB flash and 256MB RAM
- Three (3) external antennas with high-power amplifiers
- Five (5) 10/100/1000Mbps
  - 1 WAN & 4 LAN Gigabit Ethernet ports
- One (1) USB 3.0 port
- IPv6 Support (Internet Protocol Version 6)
- On/Off LED lights option

## Standards

- One (1) USB 3.0 port
- IEEE® 802.11 b/g/n 2.4GHz + 256-QAM support
- IEEE® 802.11 a/n/ac 5GHz

- Five (5) 10/100/1000Mbps—(1 WAN & 4 LAN) Gigabit Ethernet ports

## Key Features

- MU-MIMO—Simultaneous streaming of data for multiple devices†
- Smart Connect—Same WiFi network name on 2.4 & 5GHz for automatic band selection
- Dynamic QoS—Prioritizes bandwidth by application and device
- ReadySHARE® USB—Share your USB hard drive
- Customized free URL to set up personal FTP server
- Automatic firmware update delivers latest security patches to the router
- VPN support—Secure remote access. Now also on mobile devices
- Guest network access—Separate & secure
- Implicit & Explicit Beamforming—More reliable connections
- Alexa Voice Control—Use Amazon Alexa™ to control your network with simple voice commands
- Nighthawk® App—Easily set up your router and get more out of your WiFi. Includes access from anywhere to manage your network away from home
- NETGEAR Armor™—Advanced cyber threat protection for your home and your connected devices††
- Circle® Smart Parental Controls††—Manage your content and time online, on any device

## Support

- 90-day complimentary technical support following purchase from a NETGEAR authorized reseller
- Join the NETGEAR Community Forum. Visit <http://community.netgear.com>

## System Requirements

- Microsoft® Windows 7, 8, 10, Vista®, XP®, 2000, Mac OS®, UNIX®, or Linux®
- Microsoft® Internet Explorer® 5.0, Firefox® 2.0, Safari® 1.4, or Google Chrome™ 11.0 browsers or higher

## Security

- Standards-based WiFi Security (802.11i, 128-bit AES encryption with PSK)
- Automatic firmware update delivers latest security patches to the router
- Double firewall protection (SPI and NAT)
- Denial-of-service (DoS) attack prevention
- VPN Support—Secure access to your home network away from home
- NETGEAR Armor™—Advanced cyber threat protection for your home network and your connected devices††
- Circle® Smart Parental Controls††—Manage content and time online for your connected devices. Learn more at [netgear.com/circle](http://netgear.com/circle)

## Warranty

- [www.netgear.com/warranty](http://www.netgear.com/warranty)
- Extend your warranty & technical support within 90 days of product purchase [US only]. Visit: [prosupport.netgear.com/home](http://prosupport.netgear.com/home)

This product comes with a limited warranty that is valid only if purchased from a NETGEAR authorized reseller.

\* 90-day complimentary technical support following purchase from a NETGEAR authorized reseller.

† Maximum wireless signal rate derived from IEEE 802.11 specifications. Actual data throughput and wireless coverage will vary and may be lowered by network and environmental conditions, including network traffic volume and building construction. NETGEAR makes no representations or warranties about this product's compatibility with future standards. Up to 1900Mbps wireless speeds achieved when connecting to other 802.11ac 1900Mbps devices.

‡ MU-MIMO capability requires both router and client device to support MU-MIMO.

††Circle® includes the Free Basic Plan. Fees apply for a Premium Plan. Visit [netgear.com/circle](http://netgear.com/circle) for more information.

†††NETGEAR Armor requires a paid subscription after the initial introductory period. Learn more at [netgear.com/armor](http://netgear.com/armor)

The country settings must be set to the country where the device is operating.

For indoor use only.

NETGEAR, the NETGEAR Logo, NETGEAR Armor, Nighthawk and ReadySHARE are trademarks of NETGEAR, Inc. Mac, Mac OS, and the Mac logo are trademarks of Apple Inc. Any other trademarks herein are for reference purposes only. ©2020 NETGEAR, Inc.

NETGEAR, Inc. 350 E. Plumeria Drive, San Jose, CA 95134-1911 USA, [www.NETGEAR.com/support](http://www.NETGEAR.com/support)

D-R6900P-2

